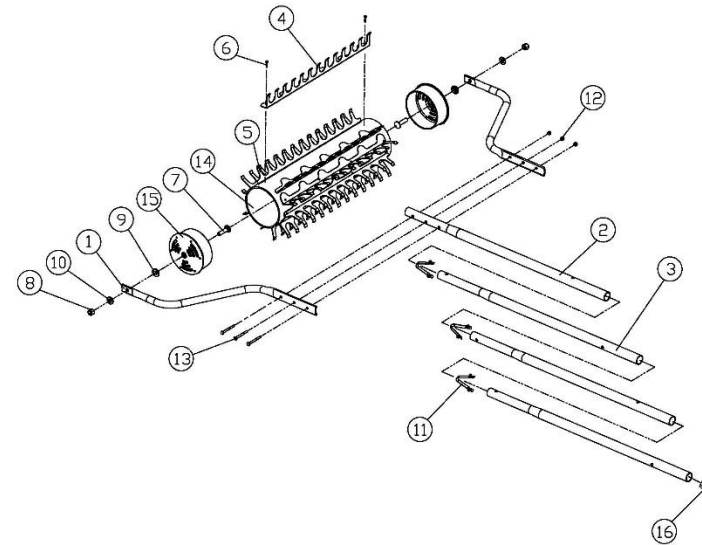


Muck Razer

Parts Included in this box:

1. 2 - Curved shape handle attachments
- 2,3. 3 - Main Handle
4. 6 - Alternating Rake Teeth Rows w/ 13 Teeth
5. 5 - Alternating Rake Teeth Rows w/ 12 Teeth
6. 22 - ¼" hex head screws
7. 2 - Carriage Bolts
- 8,9,10. 2 - Lock nuts Thrust bearings, and washers
11. 3 - Spring Clips
- 12,13. 3 - Handle nuts, handle bolts
14. 1 - Rake drum
15. 2 - Cylinder End Caps (#15)
- 16.1 - End Cap for Handle (#16)



*For tightening purposes you will need a ¾ wrench for carriage bolt nuts.

*Highly recommend using a drill (power tool) with a ¼ nut driver for the 22 hex screws. *DO NOT OVER TIGHTEN.

*To watch our instructional video on putting together a Muck Razer visit our Youtube Page (Jenlis Inc)

Assembly Instructions:

Instructions:

1. Insert one carriage bolt (7) into each end cap (15) (threads should be sticking out of the drum (14), tighten the thrust bearing (9) on the carriage bolt (7), the thrust bearing (9) should be nearly flush with the outside edge of the end cap (15).
2. Position one end cap (15) into one end of the drum (14). Insert and tighten a screw (6) into the hole in the teeth row (4 or 5) closest to the end cap. Again, the threads of the carriage bolt should be on the outside of the drum.
3. Repeat the process in step 2 for the other end cap (15). TIP* The end caps (15) have 11 small ridges. These 11 ridges on the end caps will line up with a pre-drilled holes where the screws (6) go into the main drum (14). The screws for the teeth (6) will go through the main drum and the end caps.
4. Assemble each row of teeth so they offset from the previously installed row (4 then 5).
5. Install every row of teeth the same direction so that the teeth are all facing the same direction. Keep in mind that you should install the teeth so that the teeth offset. (4 and 5)
6. The last row of teeth will not be offset. They will have the same position as the first row installed.

Installing the Handle:

7. Slide the flattest end of curved handle section (1) on to the carriage bolt (7) then slide a washer (10) onto the carriage bolt and secure the handle and washer with a lock nut (8). Secure the nut just enough so that it will not fall off. Repeat this process with the other curved handle section. The curved ends should meet in the middle above the drum (14) forming a Y shape with the drum in the middle.
8. Tighten both lock nuts (8) on the main drum (14) just enough so that the carriage bolt (7) is slightly protruding from the end of the lock nut. Do not over tighten the bolt. The drum (14) needs to roll freely without resistance.
9. Slide shorter handle section (2) with three holes at end in-between the two curved handle sections (10) allowing the holes to line up. **Starting with the bolt hole farthest from the drum**, insert bolt (13) and fasten with handle nut (12). Repeat this process with the next hole closet to the drum, then the final hole. Tighten the nuts only enough so the handle does not wobble. Over tightening will bend the hand and void the warranty.
10. Slide the tube (3) with the spring clip (11) inside of the shorter main tube (2), again allowing the pins to pop out of the two holes on the main tube.
11. Repeat the process of 13 for the remaining tubes creating a long shaft that will act as the handle.
12. Lastly insert the end cap (16) for the tube to top off the handle.

One Year Warranty

Find warranty details and video assembly instructions at www.weedrazers.com

How to Use The Muck Razer

You will rarely find weeds or muck on the bottom of public beach waters. The bottom lake, river, pond or ocean bottom in these areas is constantly being stirred up by people. The Muck Razer is designed to accomplish the same thing. The Muck Razer will agitate the sediments on the bottom of your lake or pond. This agitation will in some cases pull up existing weeds, dislodge the root systems of existing weeds and aerate mucky, muddy and silty sediments. The Muck Razer is best suited for areas where the weeds have been cut and removed with the WeedRazer and WeedRaker or Razer Rake and where soft sediments exist.

Muck generally accumulates from excess nutrients and limited wave action or water flow. Muck is made up of incompletely degraded organic matter. As layers of this organic matter builds up year after year the lower layers become devoid of oxygen. The Muck Razer stirs up and agitates the lower layers. This reintroduces oxygen allowing the bacteria that already exists in this organic material to complete the process of digestion returning the bottom to a hard surface.

1. Stand on a stable location and roll the Muck Razer head into the water. The head will fill with water adding weight to keep it firmly on the bottom.
2. Roll the drum back and forth over the area you want to improve. This can be accomplished by walking with the handle in and out of the water or pushing and pulling the drum back and forth with the handle.
3. The closer you grab the handle to the drum the more downward pressure you can apply. Hard sediments like sand will require more downward pressure exerted from the handle. If you're working in an area with deep muck buildup, it will be easier to start with a smaller area and work the drum back and forth without applying downward pressure. The process may need to be repeated numerous times over an extended period of weeks to gradually reduce the muck layers.
 - a. The water may become cloudy and visibility poor. If you can't see what you need to, stop rolling and come back later, the cloudiness will dissipate.
 - b. The Muck Razer should be used regularly until the issues you are trying to solve start to get under control.